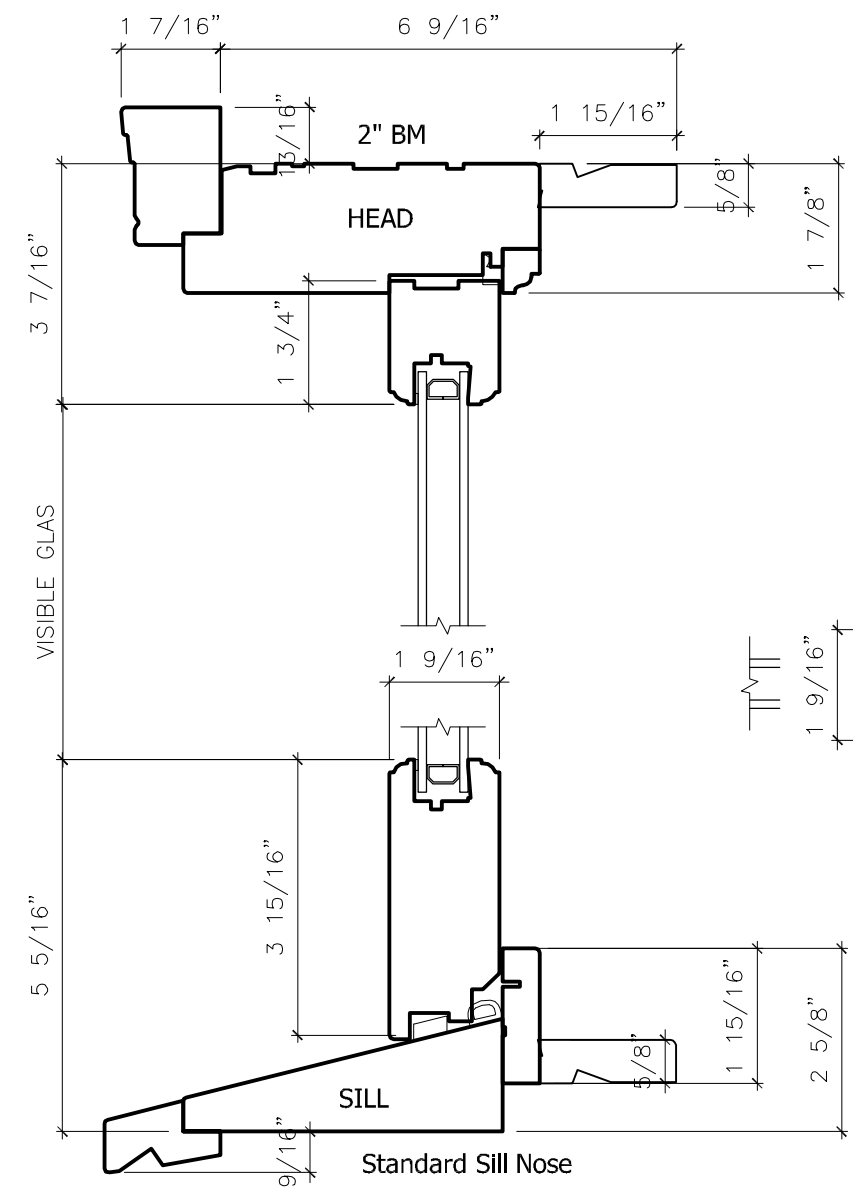
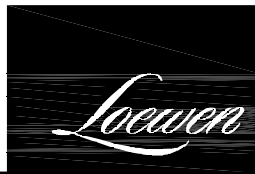
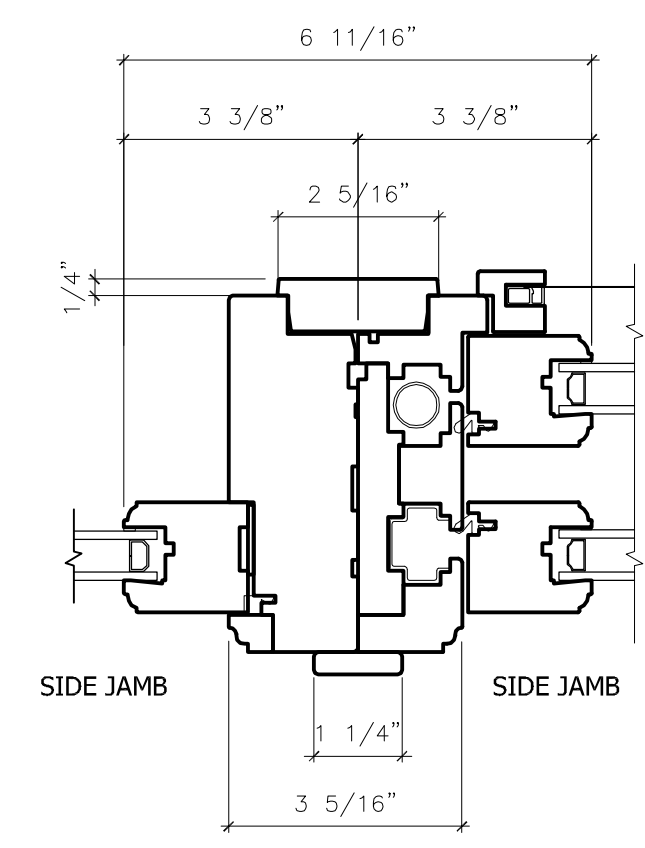
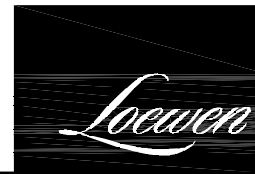


WOOD DOUBLE HUNG FIXED  
116 (4 <sup>3</sup>/<sub>16</sub>" JAMB)



WOOD DOUBLE HUNG FIXED  
166 (6 <sup>9</sup>/<sub>16</sub>" JAMB)



WOOD DOUBLE HUNG FIXED - MULL DETAIL

