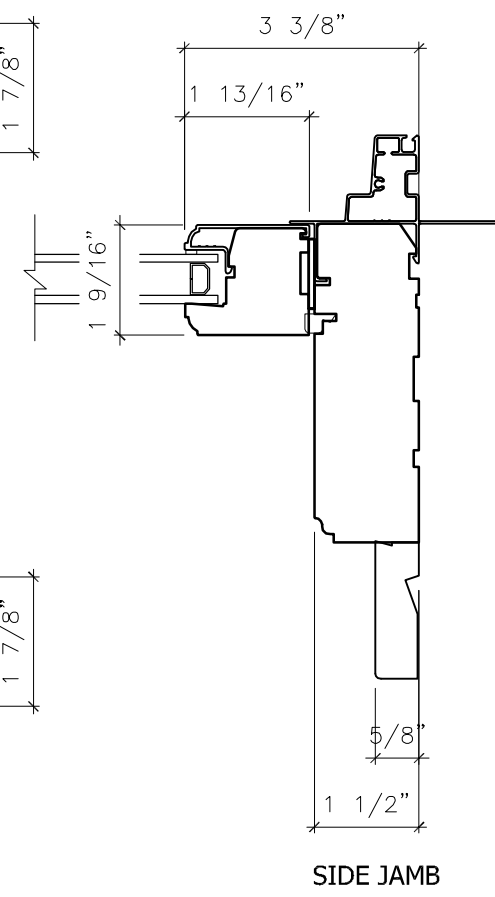
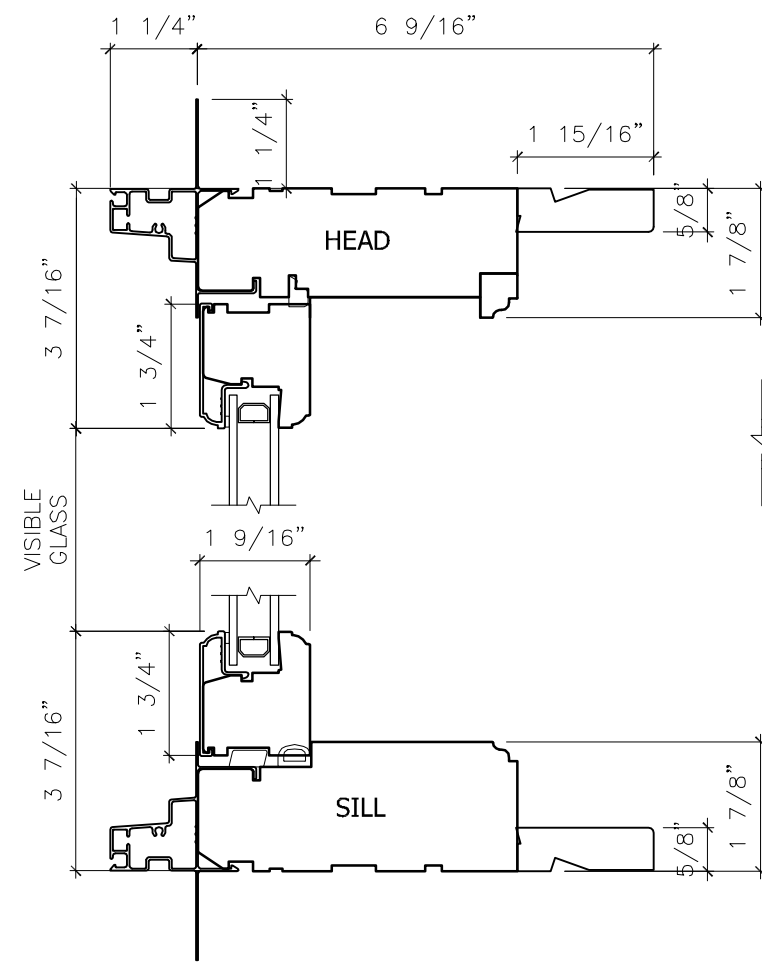
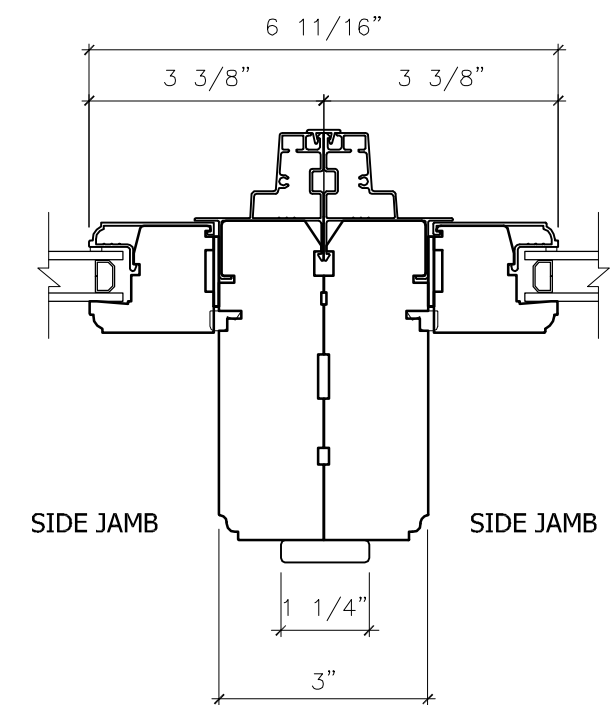


METAL CLAD DOUBLE HUNG TRANSOM  
116 (4 <sup>9</sup>/<sub>16</sub>) JAMB



METAL CLAD DOUBLE HUNG TRANSOM  
166 (6 <sup>9</sup>/<sub>16</sub>) JAMB



METAL CLAD DOUBLE HUNG TRANSOM - MULL DETAIL

