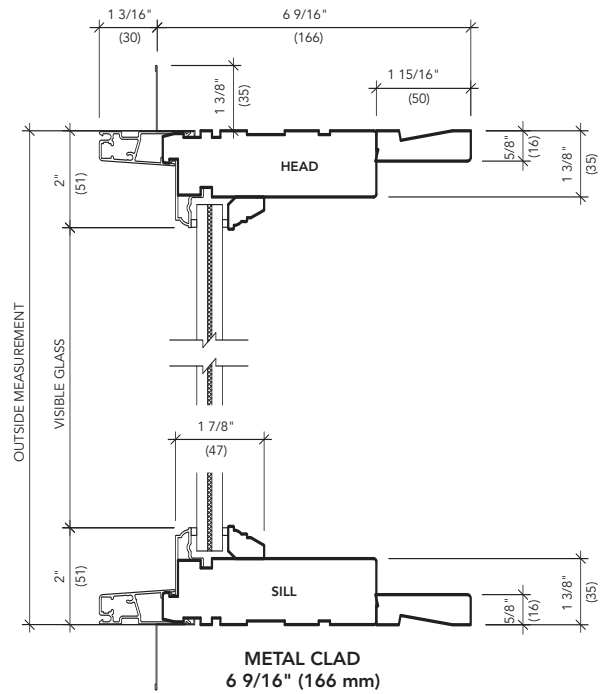
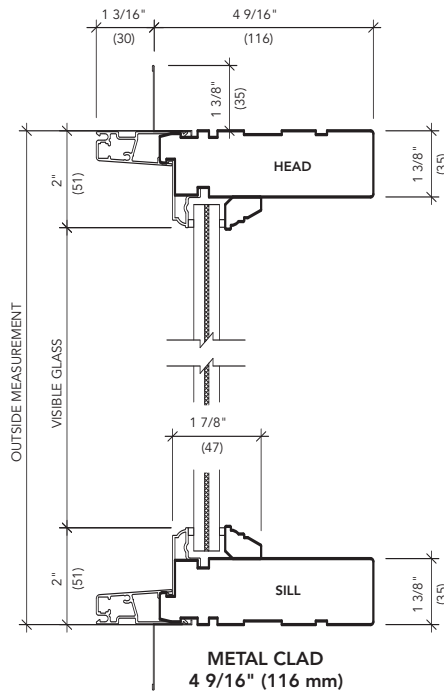


STORMFORCE (MP) 1 3/8" (35 MM) PICTURE/DIRECT SET WINDOW DETAILS

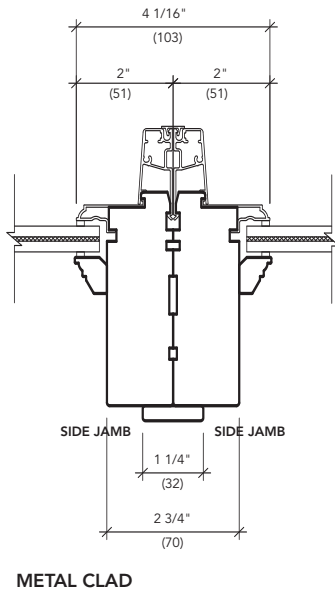
HEAD & SILL DETAILS

3" = 1'-0"

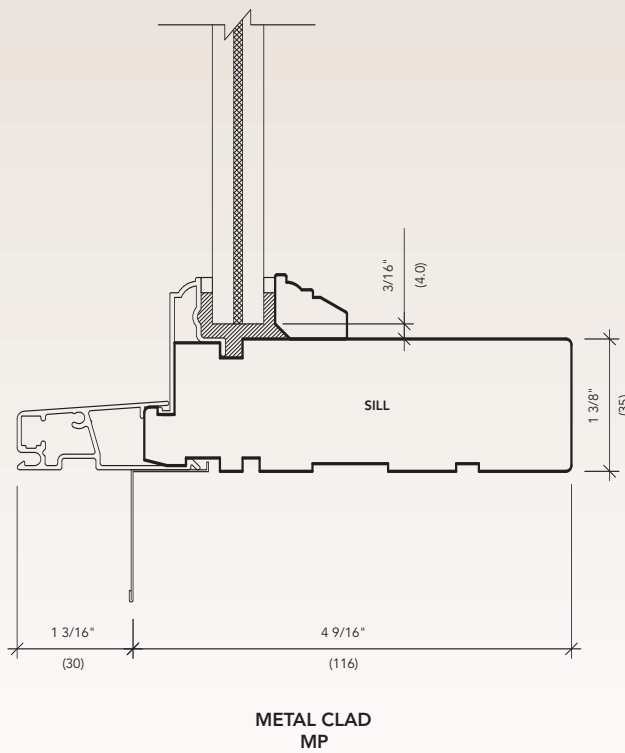


PLAN VIEW

3" = 1'-0"



SCALE 6" = 1'-0"



Note: • Other jamb widths available.
• All dimensions to have +/- 1/16" (2 mm) tolerance.

Loewen

StormForce

N115

www.loewen.com

STRM.D.043.0.2004