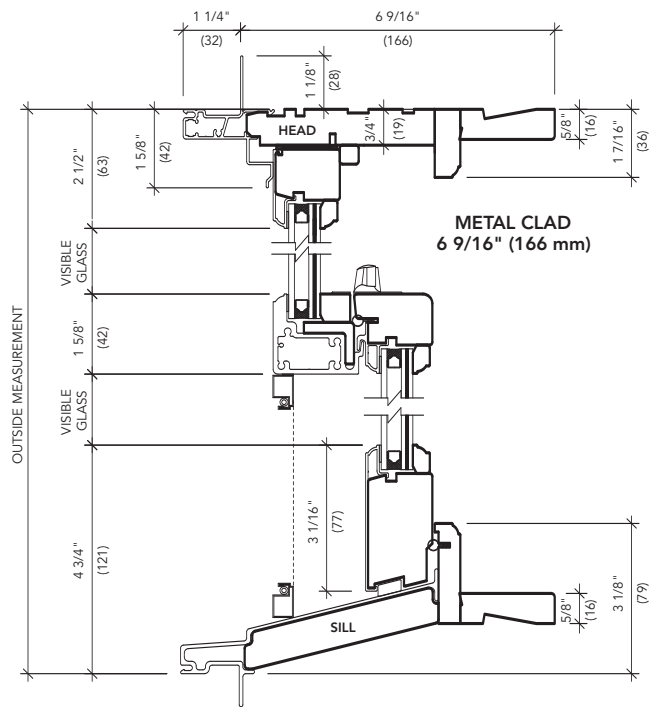
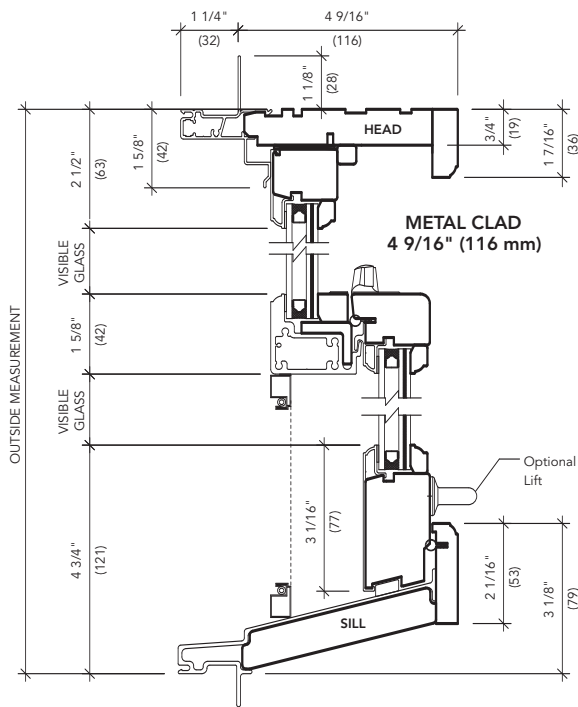


STORMFORCE (IP) SINGLE HUNG WINDOW DETAILS

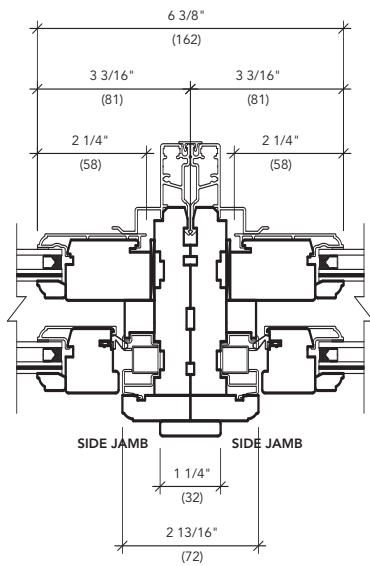
HEAD & SILL DETAILS

3" = 1'-0"



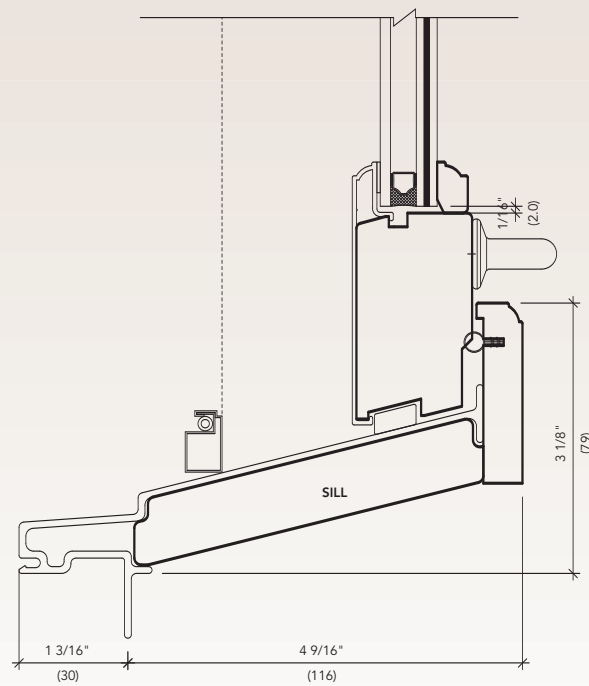
PLAN VIEW

3" = 1'-0"



METAL CLAD

SCALE 6" = 1'-0"



METAL CLAD IP

Note: • Other jamb widths available.
• All dimensions to have +/- 1/16" (2 mm) tolerance.

Loewen

StormForce

N69

www.loewen.com

STRM.D.026.0.2004