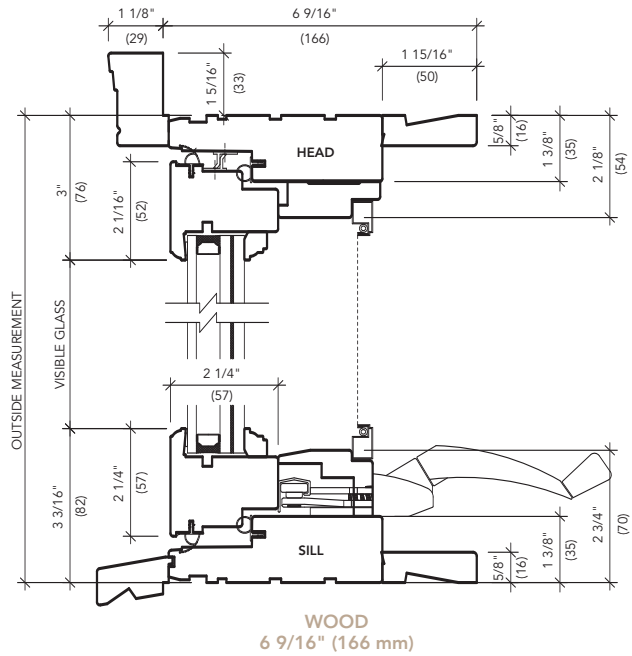
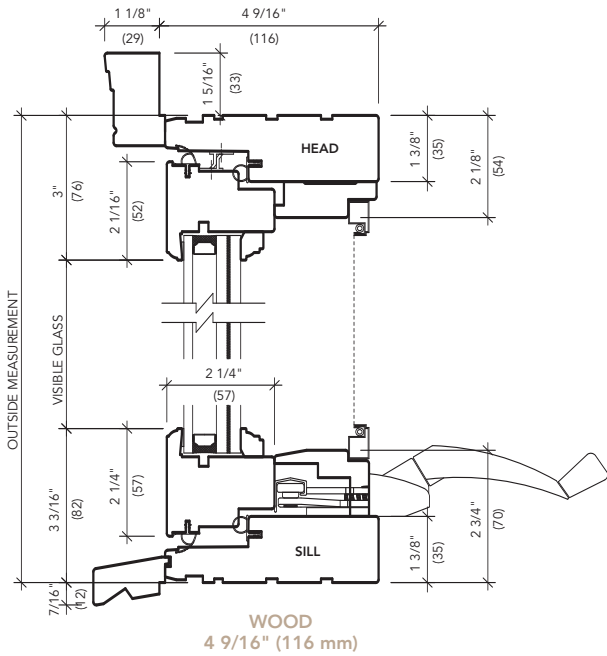


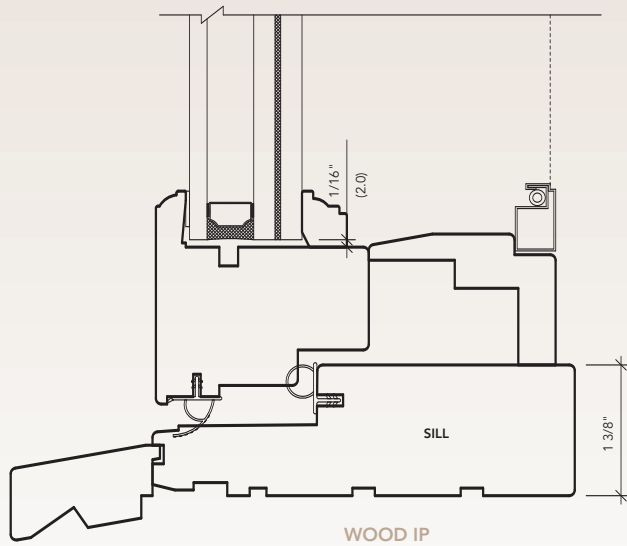
STORMFORCE (IP) AWNING DETAILS

HEAD & SILL DETAILS

3" = 1'-0"

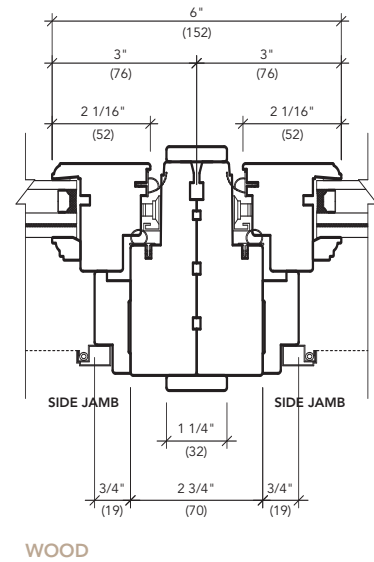


Not to Scale



PLAN VIEW

3" = 1'-0"



Note: • Other jamb widths available.
• All dimensions to have +/- 1/16" (2 mm) tolerance.

StormForce

N80

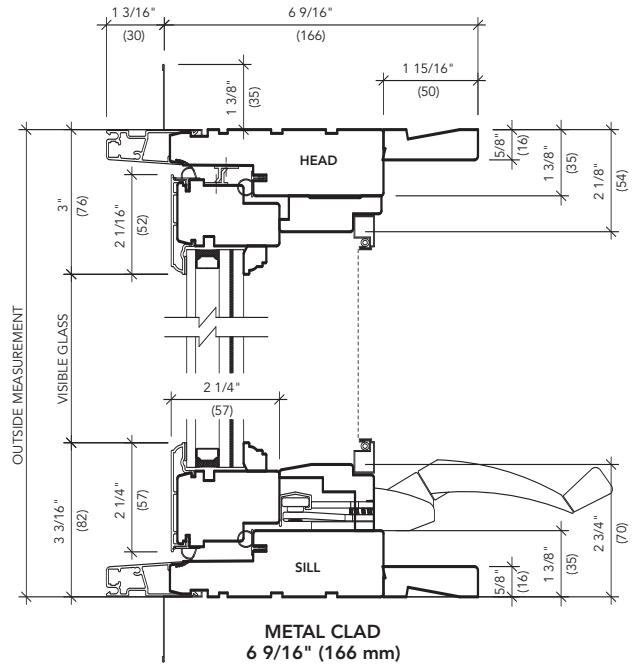
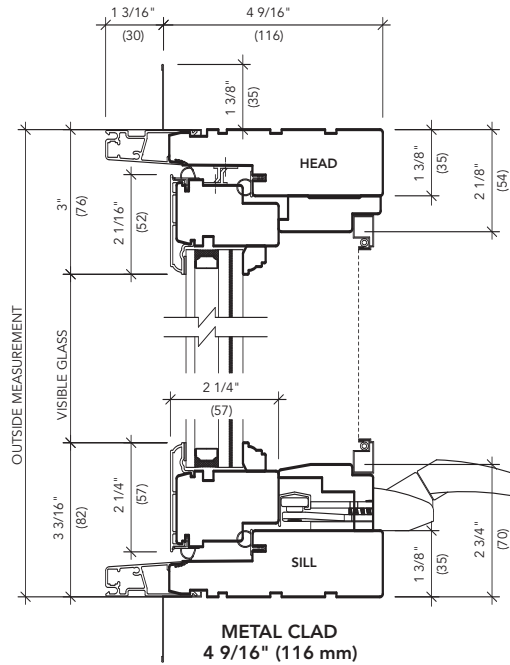
Loewen

1.800.563.9367

STORMFORCE (IP) AWNING DETAILS

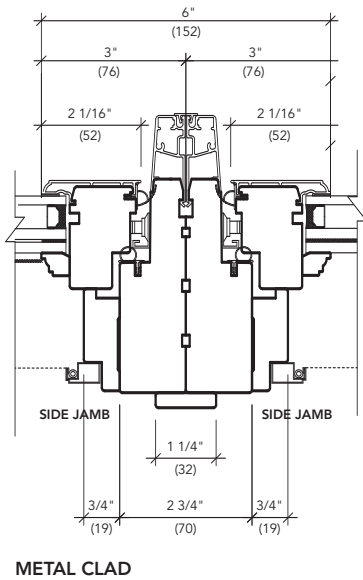
HEAD & SILL DETAILS

3" = 1'-0"

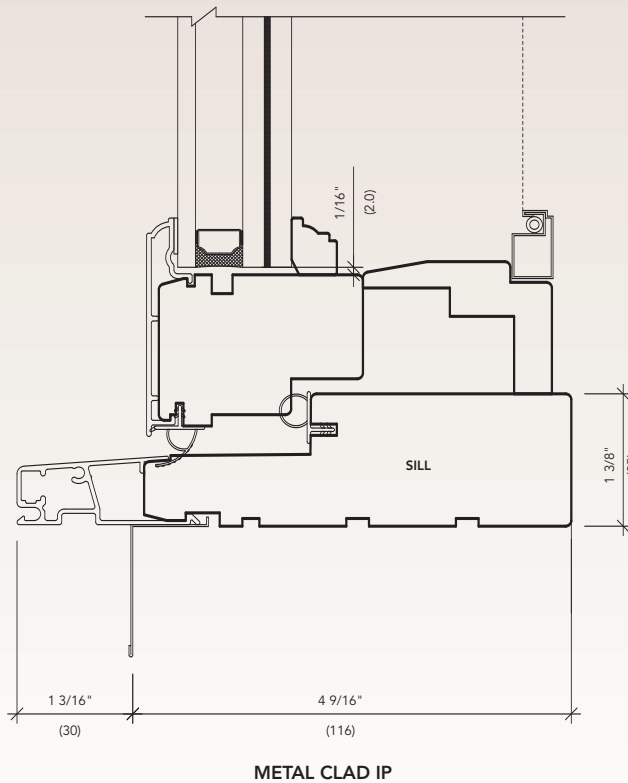


PLAN VIEW

3" = 1'-0"



SCALE 6" = 1'-0"



Note: • Other jamb widths available.
• All dimensions to have +/- 1/16" (2 mm) tolerance.

Loewen

StormForce

N81

www.loewen.com

STRM.D.029.0.2004



StormForce
SERIES

STORMFORCE (IP) WOOD PATIO DOOR ELEVATIONS

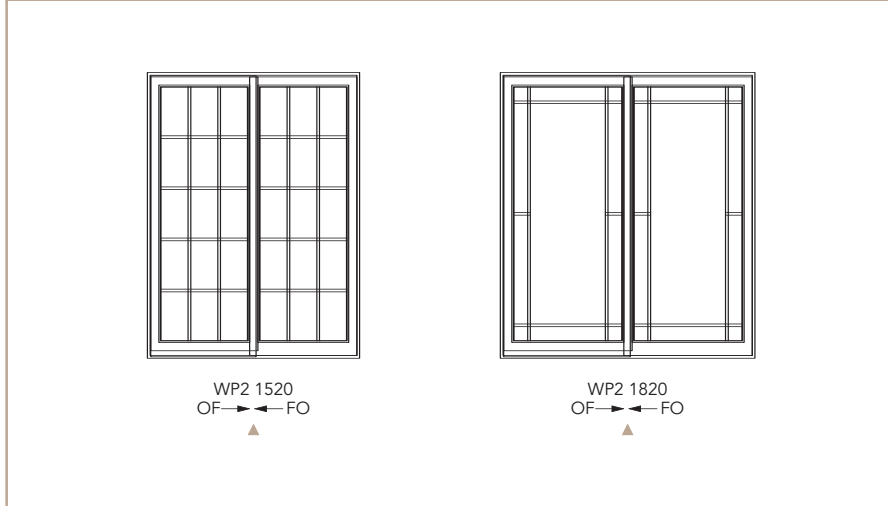
59 1/16" (1500 MM) – 70 7/8" (1800 MM) WOOD PATIO DOOR

| | | | |
|---------------|-----|----------|--------|
| Rough Opening | in. | 59 13/16 | 71 5/8 |
| | mm | 1519 | 1819 |

| | | | |
|-------------|-----|---------|--------|
| Unit O.S.M. | in. | 59 1/16 | 70 7/8 |
| | mm | 1500 | 1800 |

80 1/8
2035

79 1/2
2020



70 1/2
1790

71 7/16
1814

| | | | |
|-----|--------|-----|---------------|
| in. | 24 1/8 | 30 | Visible Glass |
| mm | 612 | 762 | |
| in. | 25 1/8 | 31 | Glass Size |
| mm | 638 | 788 | |

StormForce

N82

Loewen

Note: Grille pattern dependent on grille type.
▲ 9.3 SGP (Inboard)

1.800.563.9367