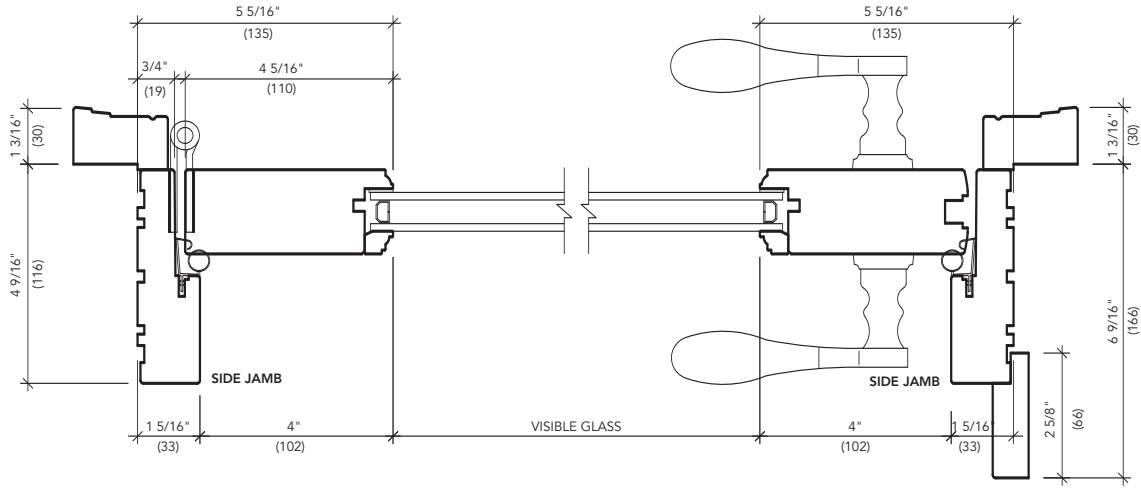


STORMFORCE (DP) TERRACE DOOR DETAILS

PLAN VIEW

3" = 1'-0"

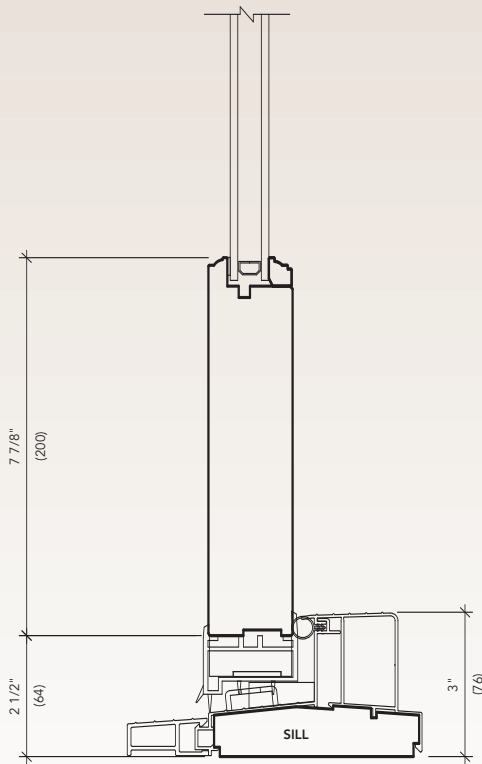


WOOD

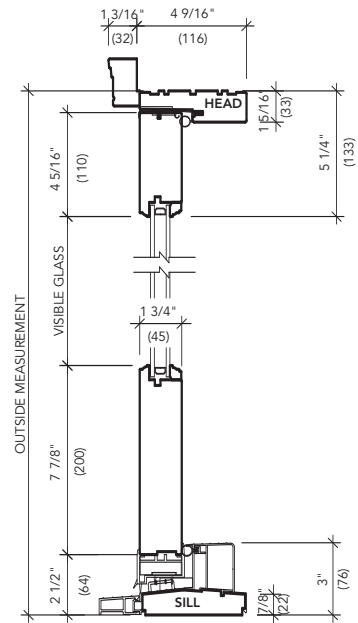
Not to Scale

HEAD/SILL DETAILS

1 1/2" = 1'-0"



WOOD DP



WOOD
4 9/16" (116 mm)

- Other jamb widths available.
- All dimensions to have +/- 1/16" (2 mm) tolerance.

StormForce

N48

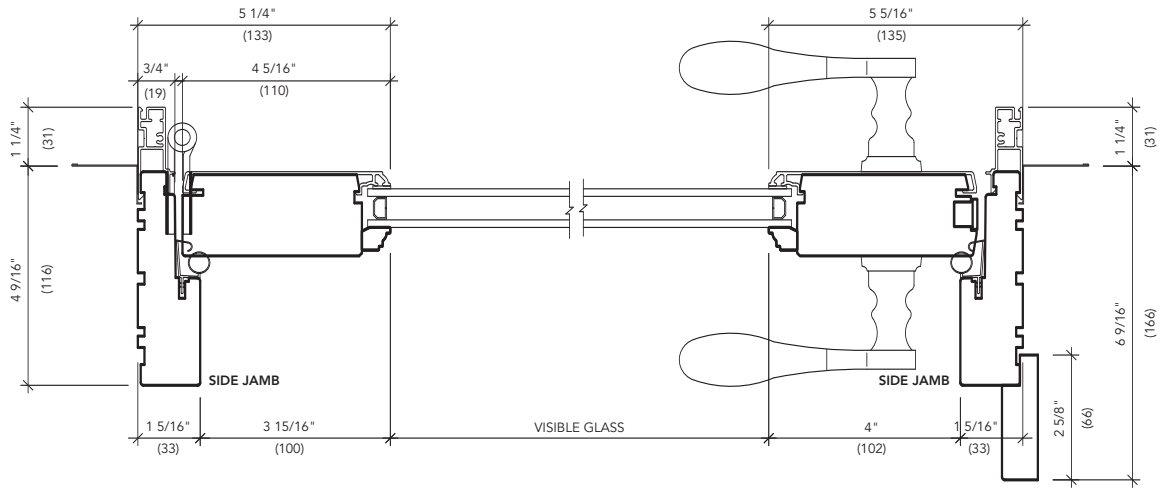
Loewen

1.800.563.9367

STORMFORCE (DP) TERRACE DOOR DETAILS

PLAN VIEW

3" = 1'-0"

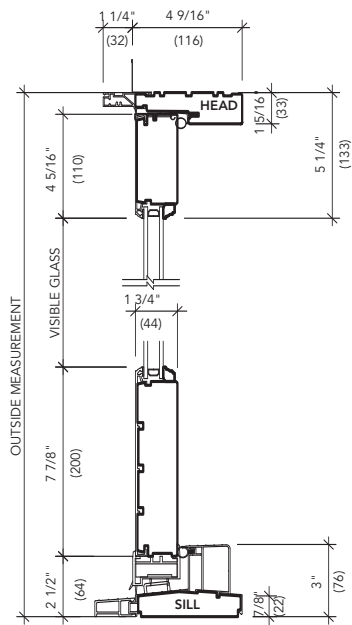


METAL CLAD

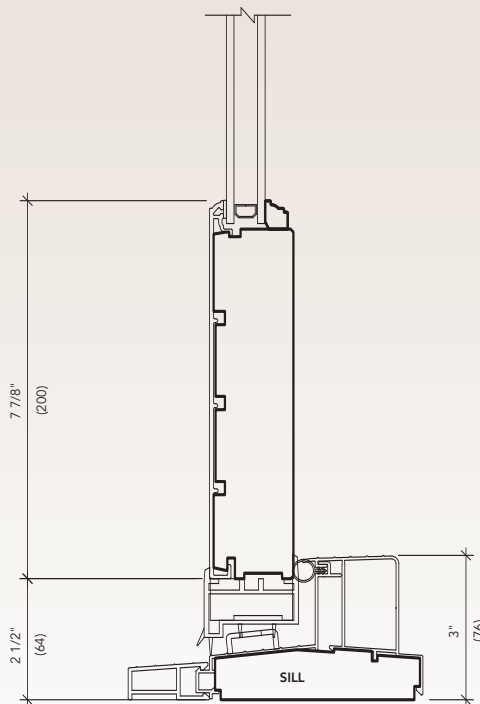
HEAD/SILL DETAILS

1 1/2" = 1'-0"

Not to Scale



METAL CLAD
4 9/16" (116 mm)



METAL CLAD DP

- Other jamb widths available.
- All dimensions to have +/- 1/16" (2 mm) tolerance.



StormForce

N49

www.loewen.com