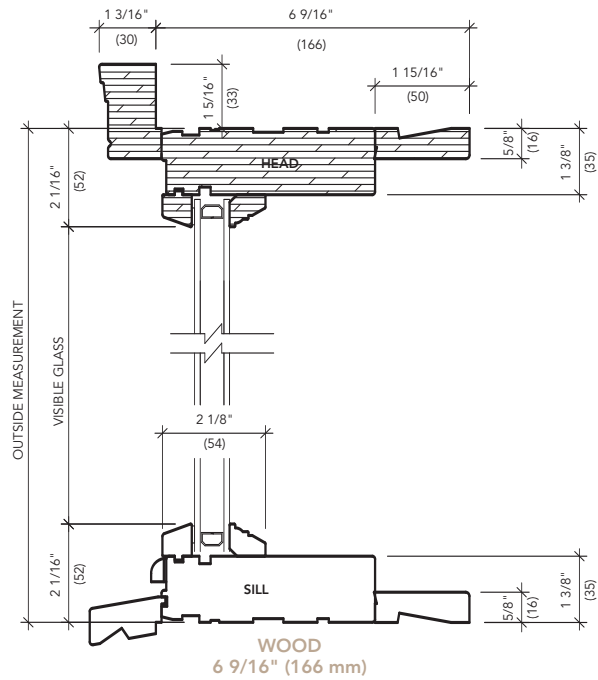
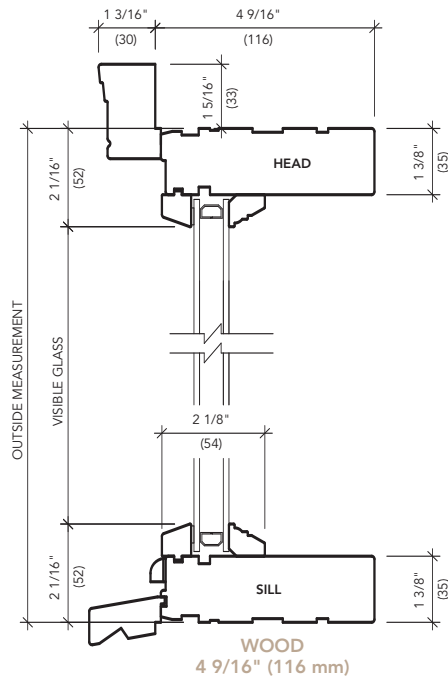


STORMFORCE (DP) 1 3/8" (35 MM) PICTURE/DIRECT SET WINDOW DETAILS

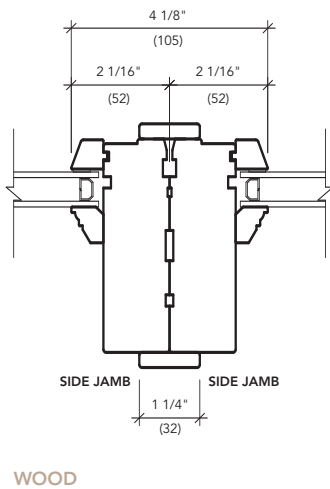
HEAD & SILL DETAILS

3" = 1'-0"

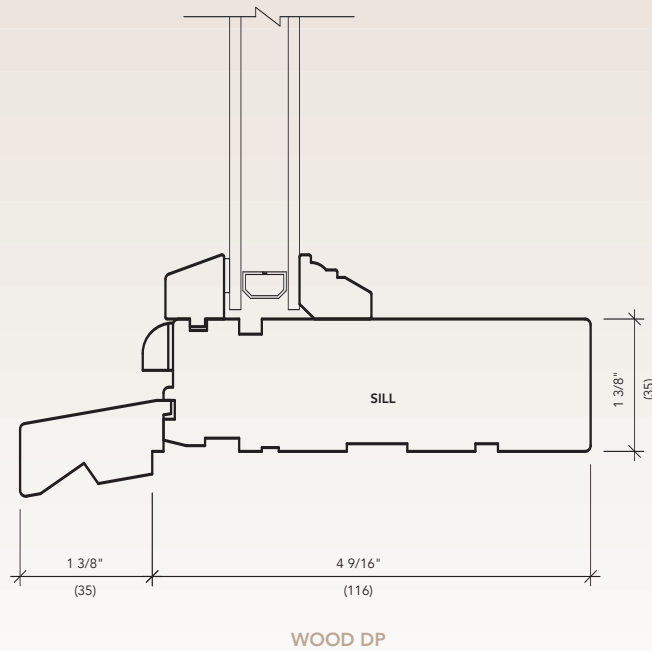


PLAN VIEW

3" = 1'-0"



SCALE 6" = 1'-0"



StormForce

N33

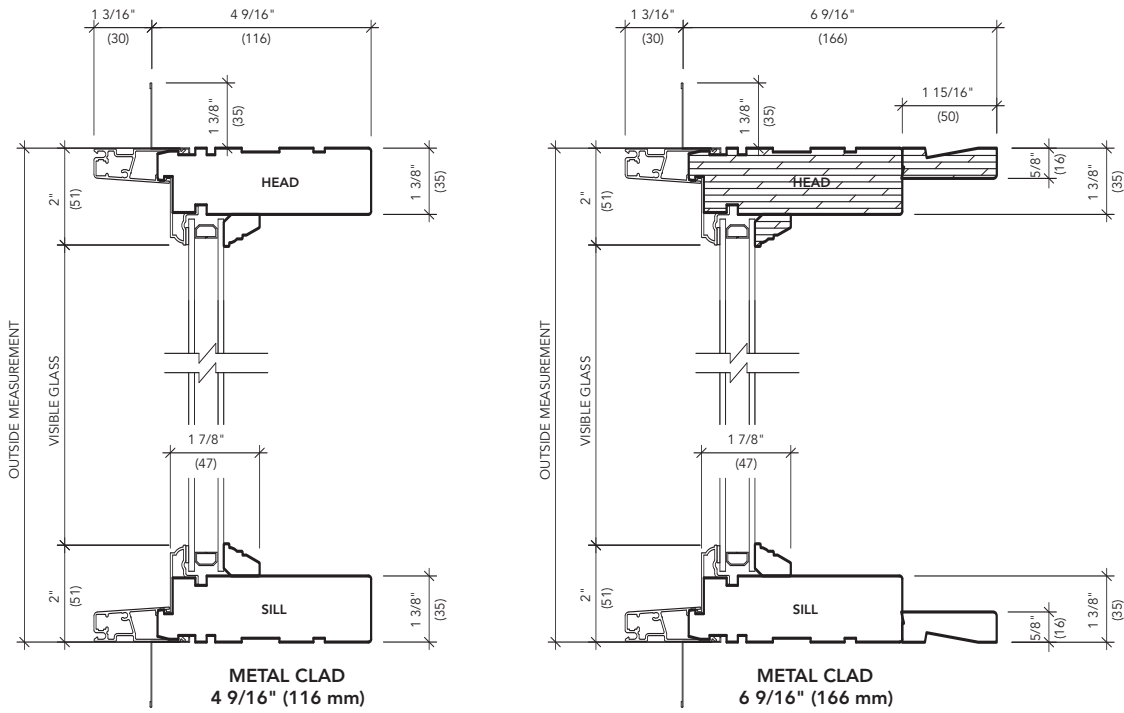
Note: • Other jamb widths available.
• All dimensions to have +/- 1/16" (2 mm) tolerance.

www.loewen.com

STORMFORCE (DP) 1 3/8" (35 MM) PICTURE/DIRECT SET WINDOW DETAILS

HEAD & SILL DETAILS

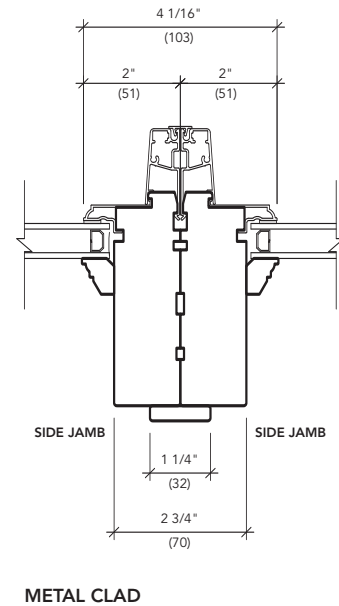
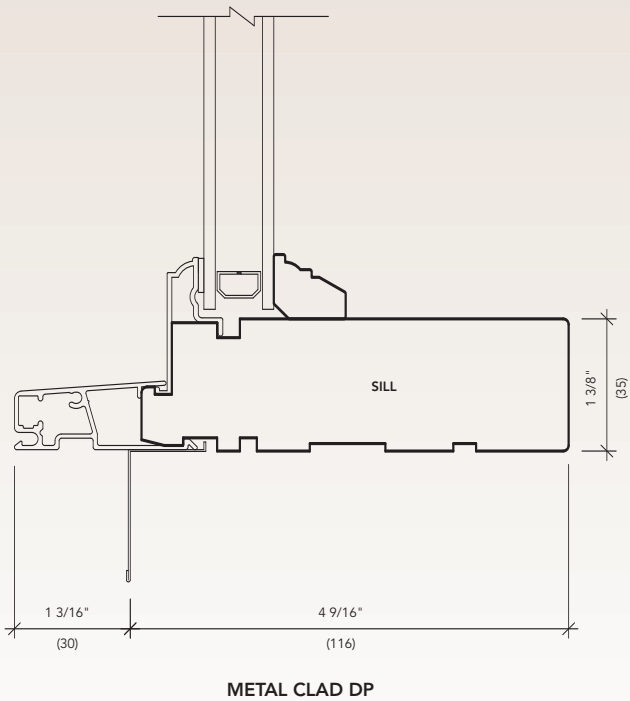
3" = 1'-0"



SCALE 6" = 1'-0"

PLAN VIEW

3" = 1'-0"



Note: • Other jamb widths available.
• All dimensions to have +/- 1/16" (2 mm) tolerance.

StormForce

N34

Loewen

1.800.563.9367