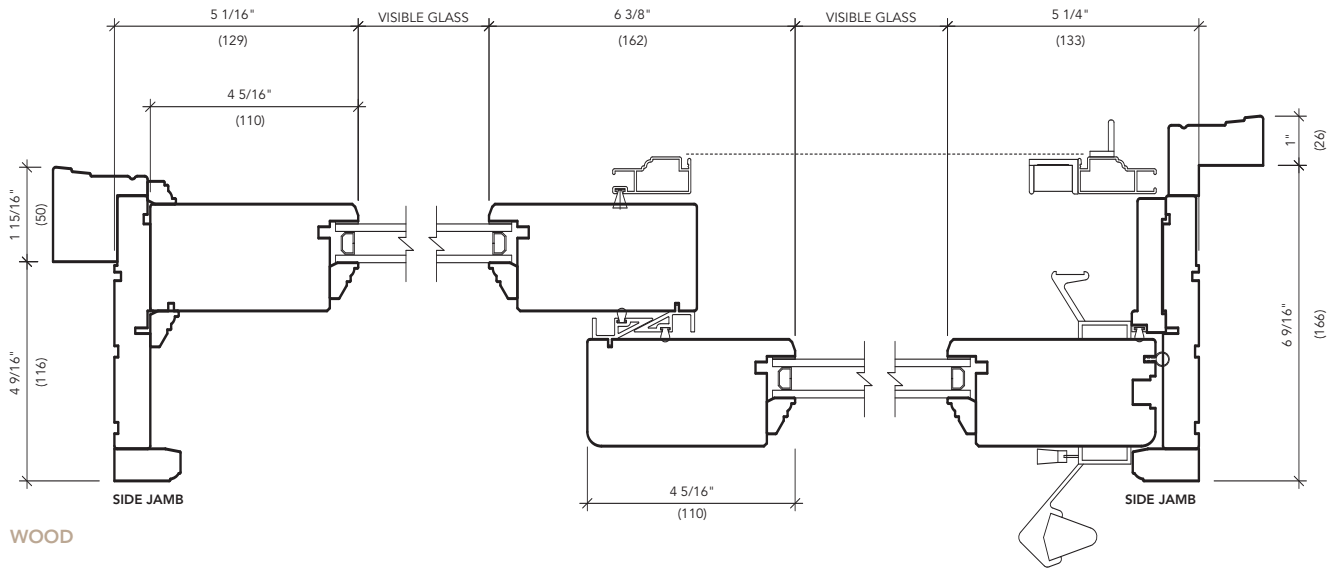


STORMFORCE (DP) FRENCH PATIO DOOR DETAILS

PLAN VIEW

3" = 1'-0"

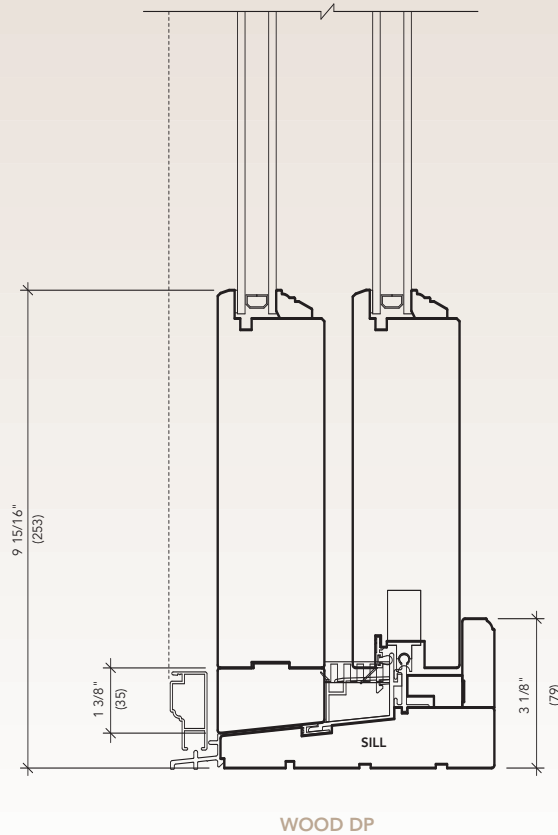
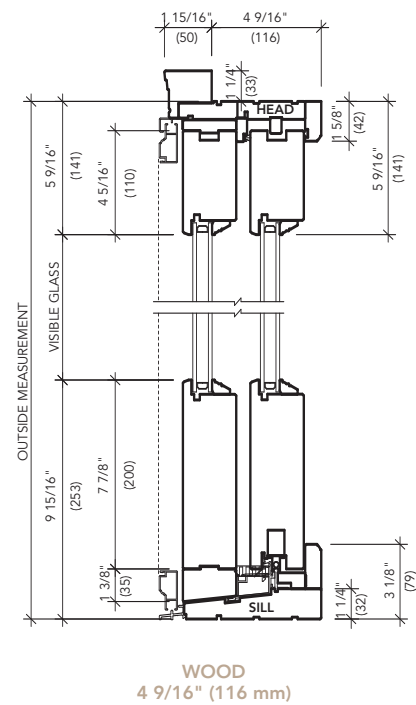


WOOD

HEAD/SILL DETAILS

1 1/2" = 1'-0"

Not to Scale



- Other jamb widths available.
- All dimensions to have +/- 1/16" (2 mm) tolerance.

Loewen

StormForce

N45

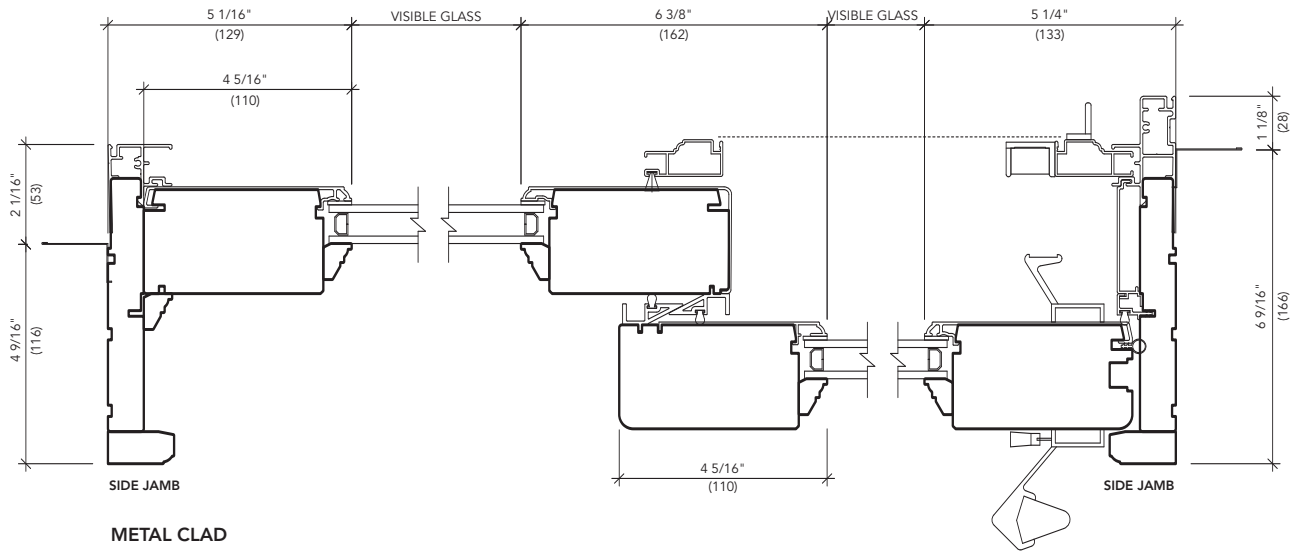
www.loewen.com

STRM.D.017.0.2004

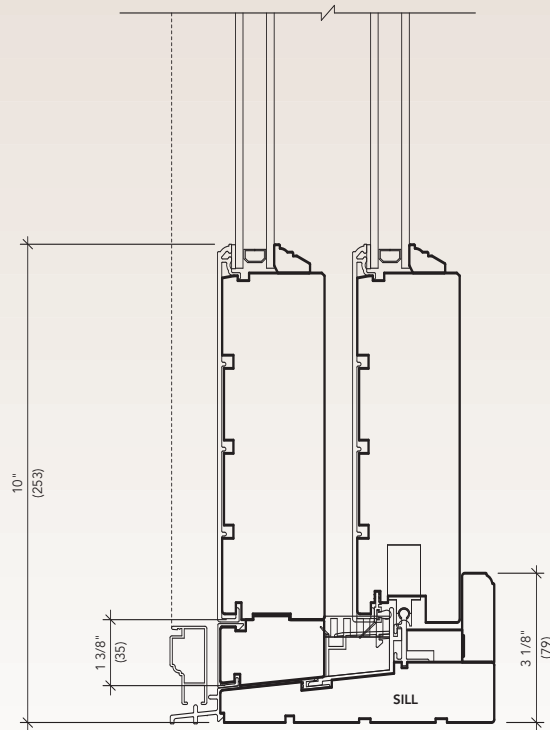
STORMFORCE (DP) FRENCH PATIO DOOR DETAILS

PLAN VIEW

3" = 1'-0"



Not to Scale

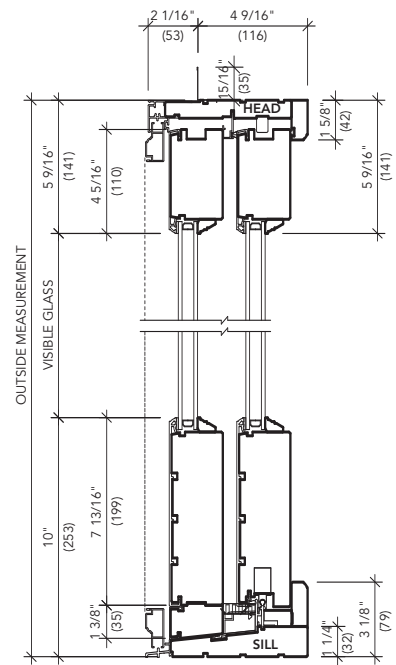


METAL CLAD DP

Note: • Other jamb widths available.
• All dimensions to have +/- 1/16" (2 mm) tolerance.

HEAD/SILL DETAILS

1 1/2" = 1'-0"



METAL CLAD
4 9/16" (116 mm)

StormForce

N46

Loewen

1.800.563.9367