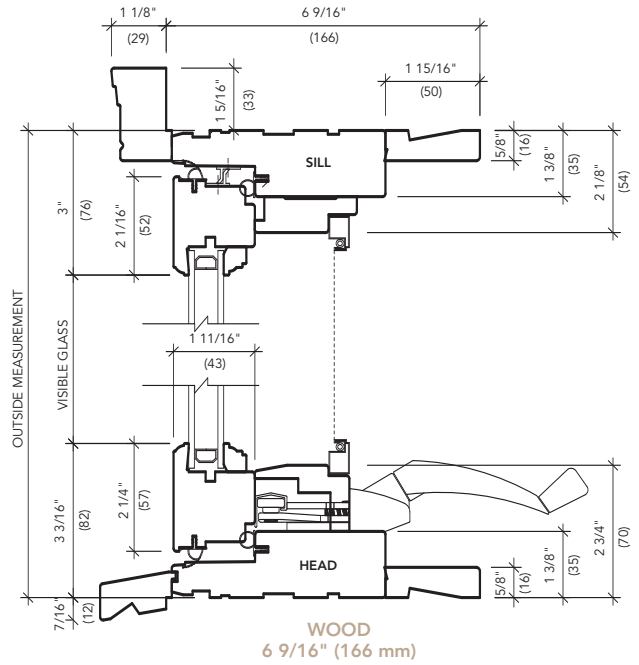
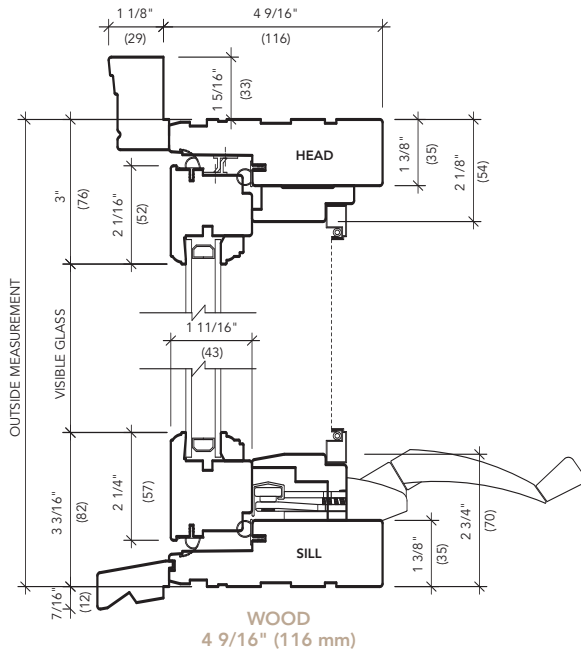


STORMFORCE (DP) AWNING WINDOW DETAILS

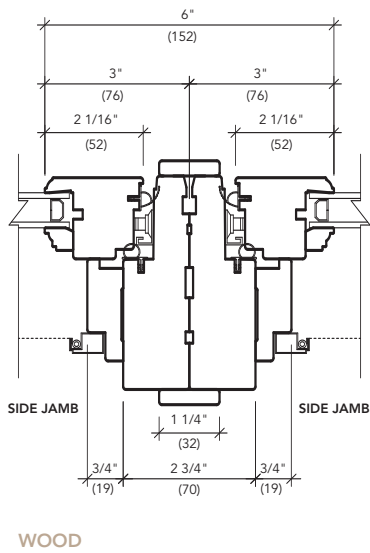
HEAD & SILL DETAILS

3" = 1'-0"

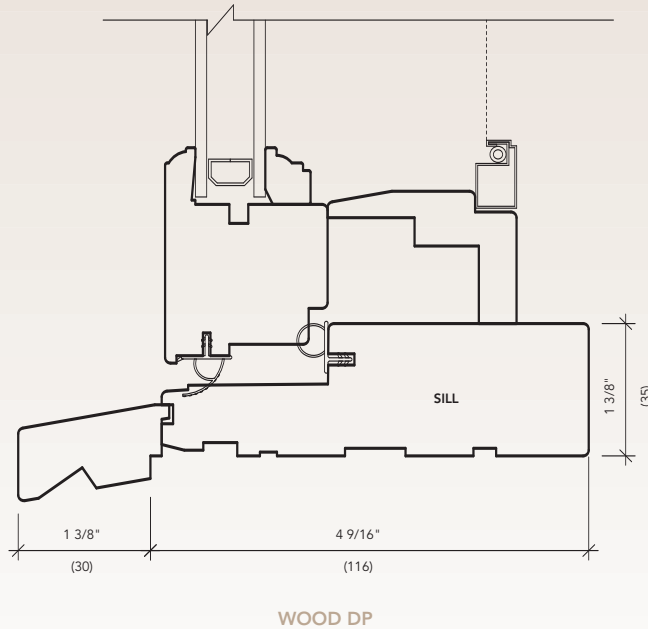


PLAN VIEW

3" = 1'-0"



SCALE 6" = 1'-0"



Note: • Other jamb widths available.
• All dimensions to have +/- 1/16" (2 mm) tolerance.

Loewen

StormForce

N37

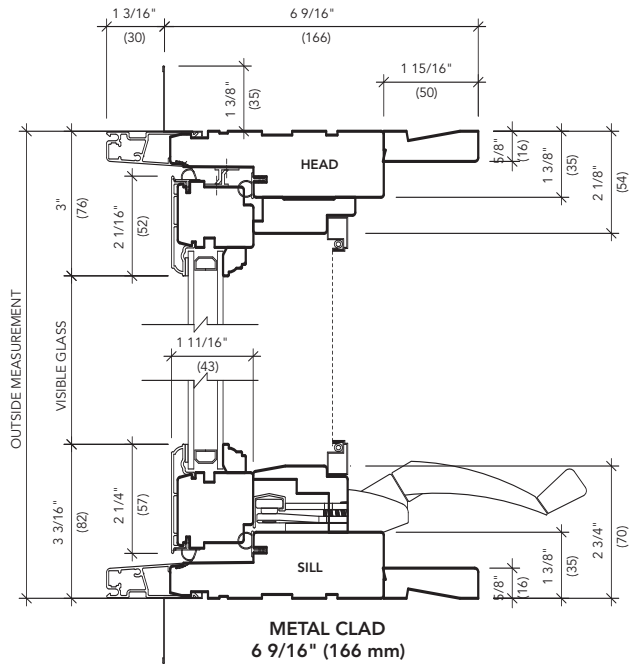
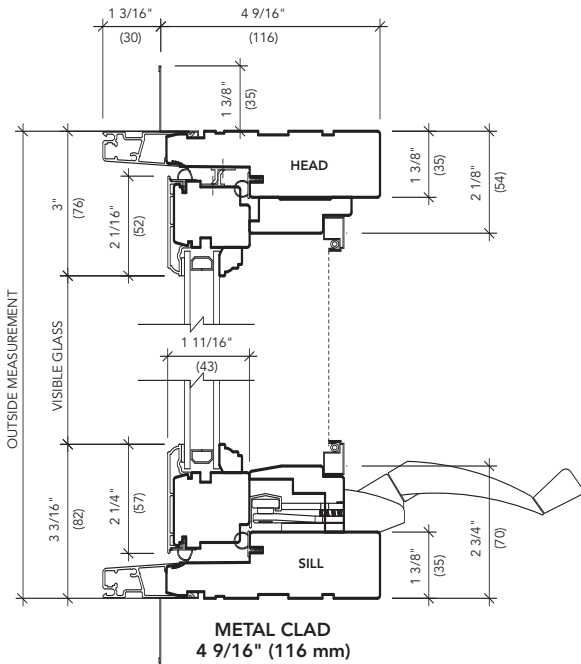
www.loewen.com

STRM.D.012.0.2004

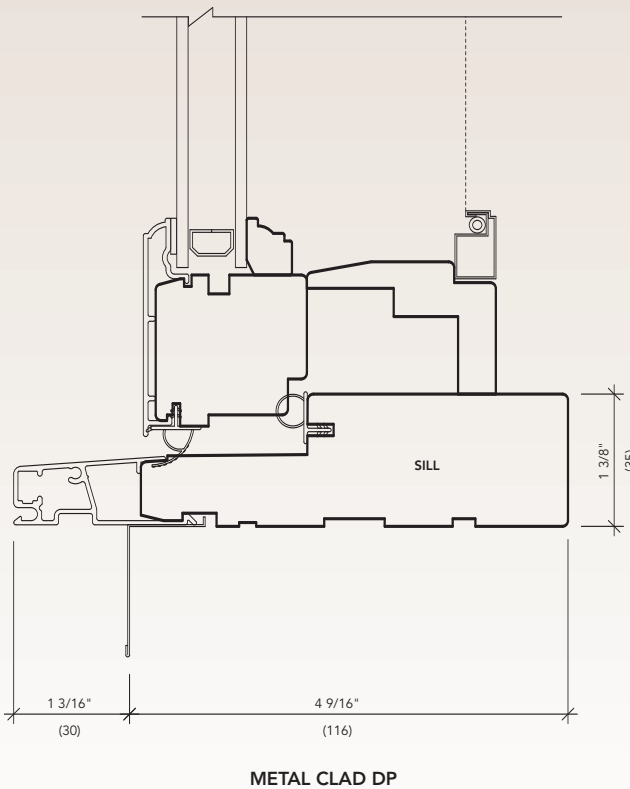
STORMFORCE (DP) AWNING WINDOW DETAILS

HEAD & SILL DETAILS

3" = 1'-0"

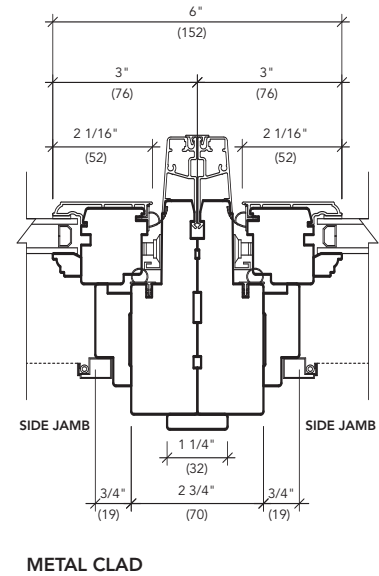


SCALE 6" = 1'-0"



PLAN VIEW

3" = 1'-0"



Note: • Other jamb widths available.
• All dimensions to have +/- 1/16" (2 mm) tolerance.

StormForce

N38

Loewen

1.800.563.9367