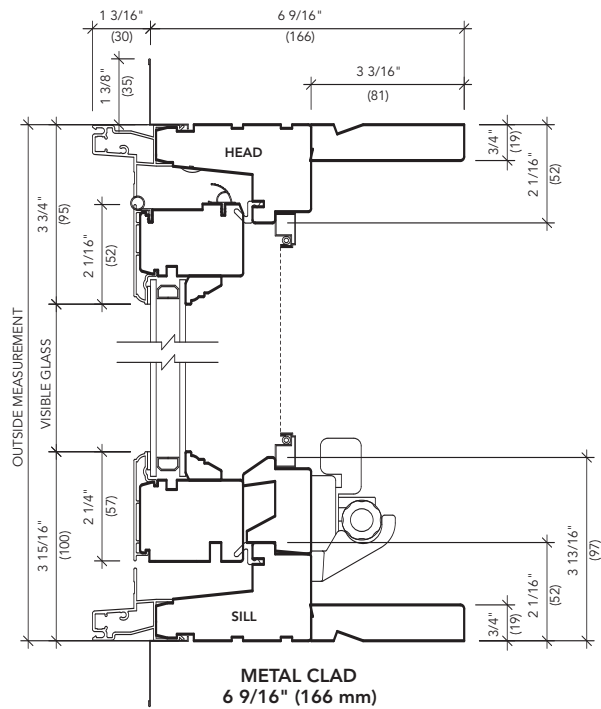
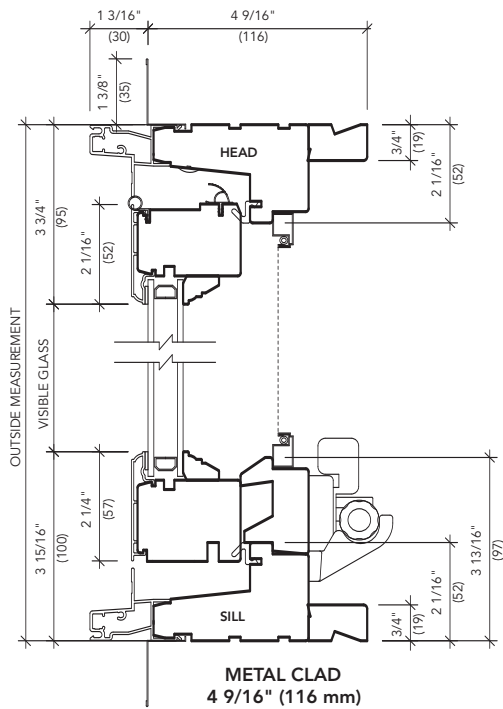


STORMFORCE (DP) ACCESS WINDOW DETAILS

HEAD & SILL DETAILS

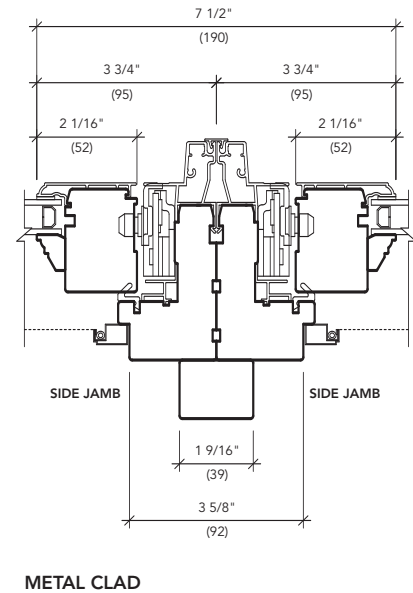
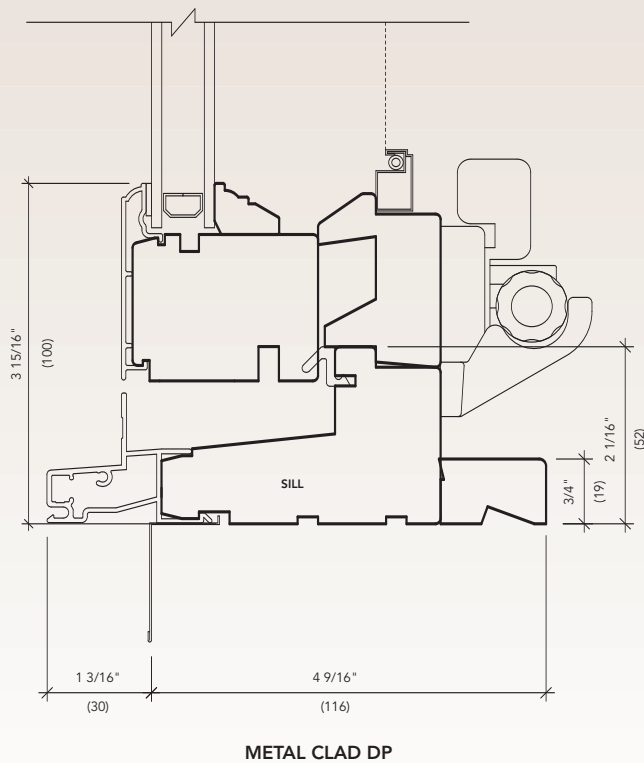
3" = 1'-0"



Not to Scale

PLAN VIEW

3" = 1'-0"



Note: • Other jamb widths available.
• All dimensions to have +/- 1/16" (2 mm) tolerance.

StormForce

N40

Loewen

1.800.563.9367