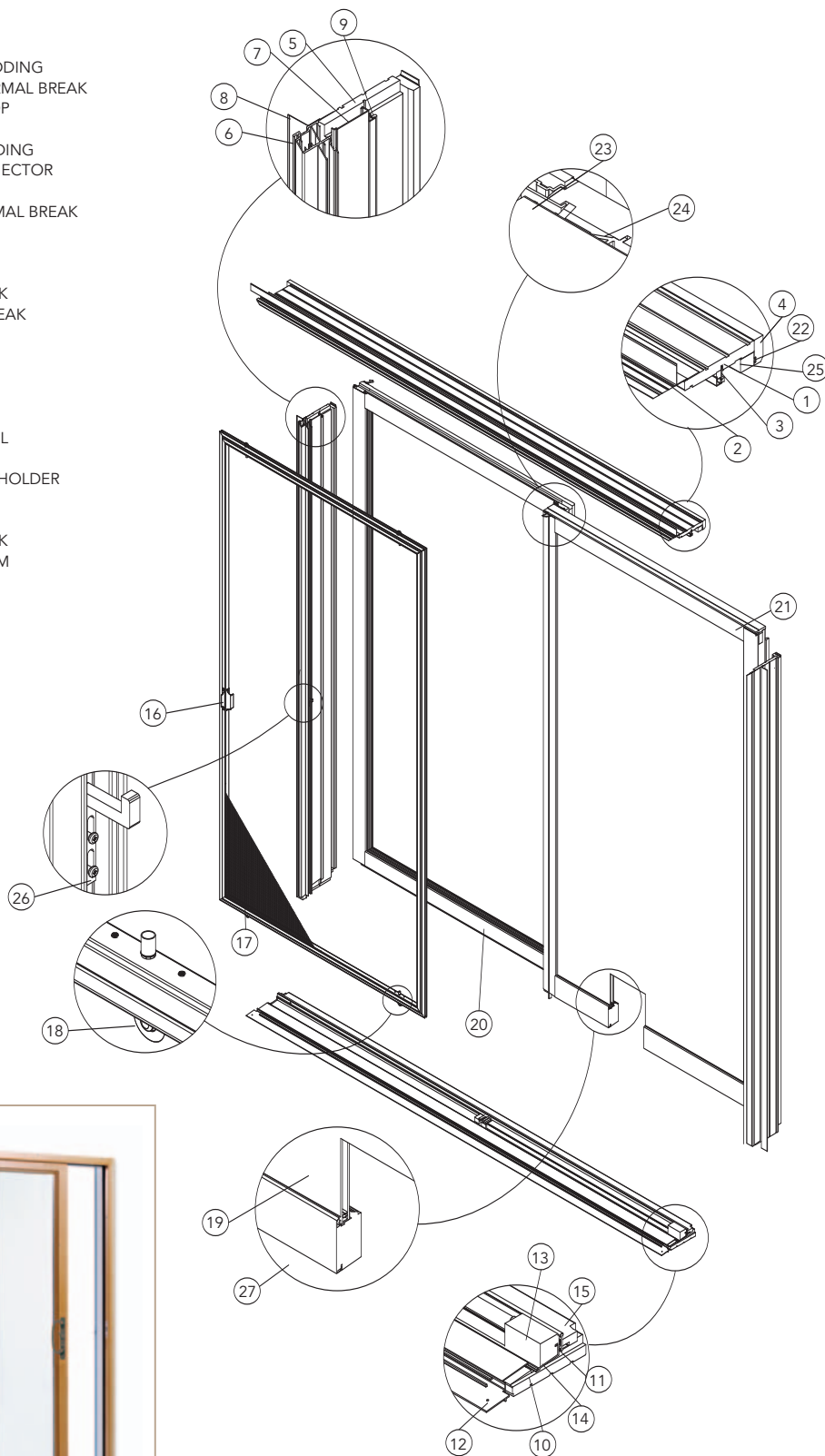


PARTS IDENTIFICATION

PATIO DOOR

NO. DESCRIPTION

- 1 HEAD JAMB
- 2 HEAD JAMB CLADDING
- 3 HEAD JAMB THERMAL BREAK
- 4 INSIDE HEAD STOP
- 5 SIDE JAMB
- 6 SIDE JAMB CLADDING
- 7 SIDE JAMB CONNECTOR
- 8 NAILING FLANGE
- 9 SIDE JAMB THERMAL BREAK
- 10 SILL
- 11 SILL TRACK
- 12 SILL CLADDING
- 13 SASH STOP BLOCK
- 14 SILL THERMAL BREAK
- 15 SILL COVER
- 16 SCREEN HANDLE
- 17 SCREEN
- 18 SCREEB ROLLER
- 19 SEALED UNIT
- 20 OPERATING PANEL
- 21 FIXED PANEL
- 22 VINYL SCHLEGEL HOLDER
- 23 WEATHERSTRIP
- 24 INTERLOCK
- 25 SASH STOP BLOCK
- 26 LOCK MECHANISM
- 27 PANEL ROLLER



Note: • This drawing is not to scale. For parts identification only.



Sliding & French Patio Doors

Loewen

J5

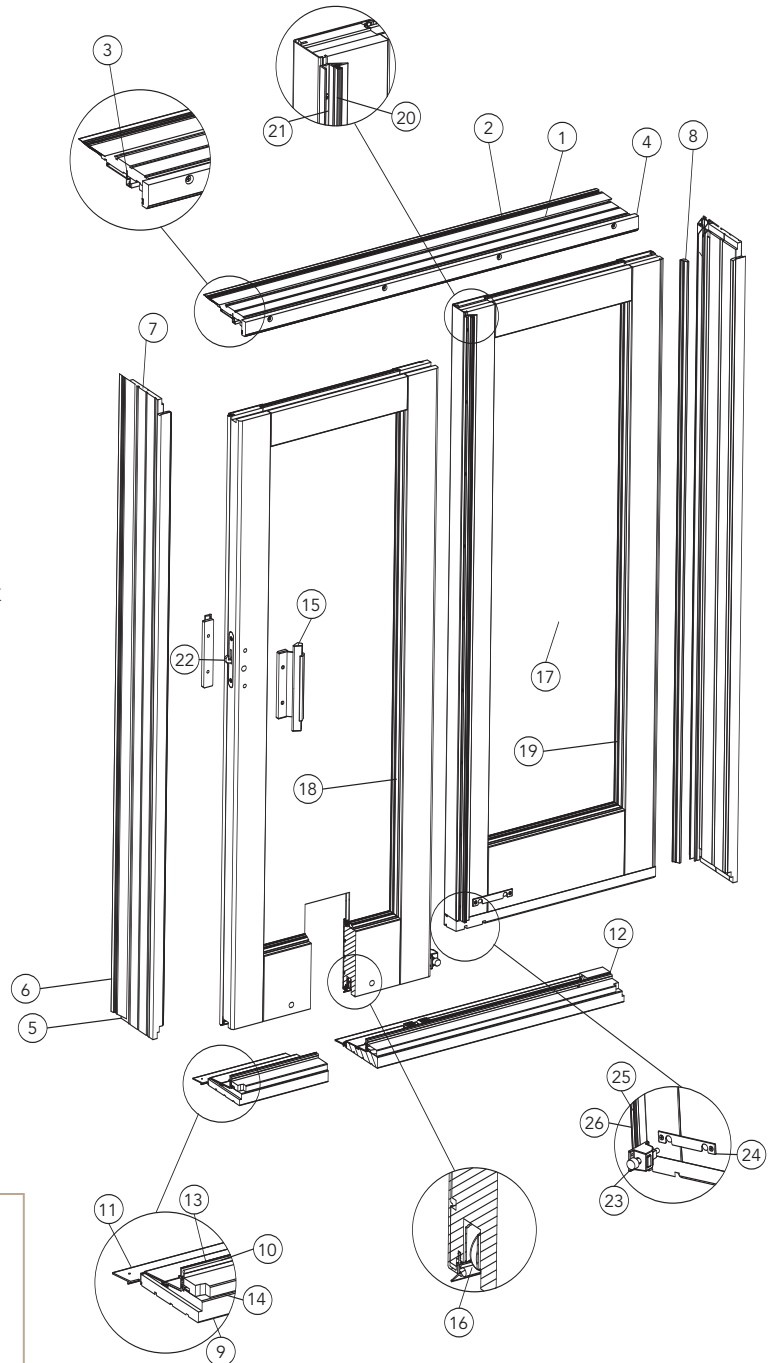
www.loewen.com

PARTS IDENTIFICATION

FRENCH PATIO DOOR

NO. DESCRIPTION

- 1 HEAD JAMB
- 2 HEAD JAMB CLADDING
- 3 HEAD JAMB THERMAL BREAK
- 4 INSIDE HEAD STOP
- 5 SIDE JAMB
- 6 SIDE JAMB CLADDING
- 7 SIDE JAMB CONNECTOR
- 8 FIXED SASH INTERIOR MOULDING
- 9 SILL
- 10 SILL TRACK
- 11 SILL CLADDING
- 12 SASH STOP BLOCK
- 13 SILL THERMAL BREAK
- 14 SILL COVER
- 15 DOOR HANDLE
- 16 ROLLER
- 17 SEALED UNIT
- 18 OPERATING PANEL
- 19 FIXED PANEL
- 20 PILE WEATHERSTRIP
- 21 INTERLOCK
- 22 DOOR LATCH
- 23 SECONDARY PATIO DOOR LOCK
- 24 SECONDARY PATIO DOOR LOCK KEEPER
- 25 FIXED SASH MEET STILE INTERLOCK
- 26 INTERLOCK WEATHERSTRIP



Note: • This drawing is not to scale. For parts identification only.