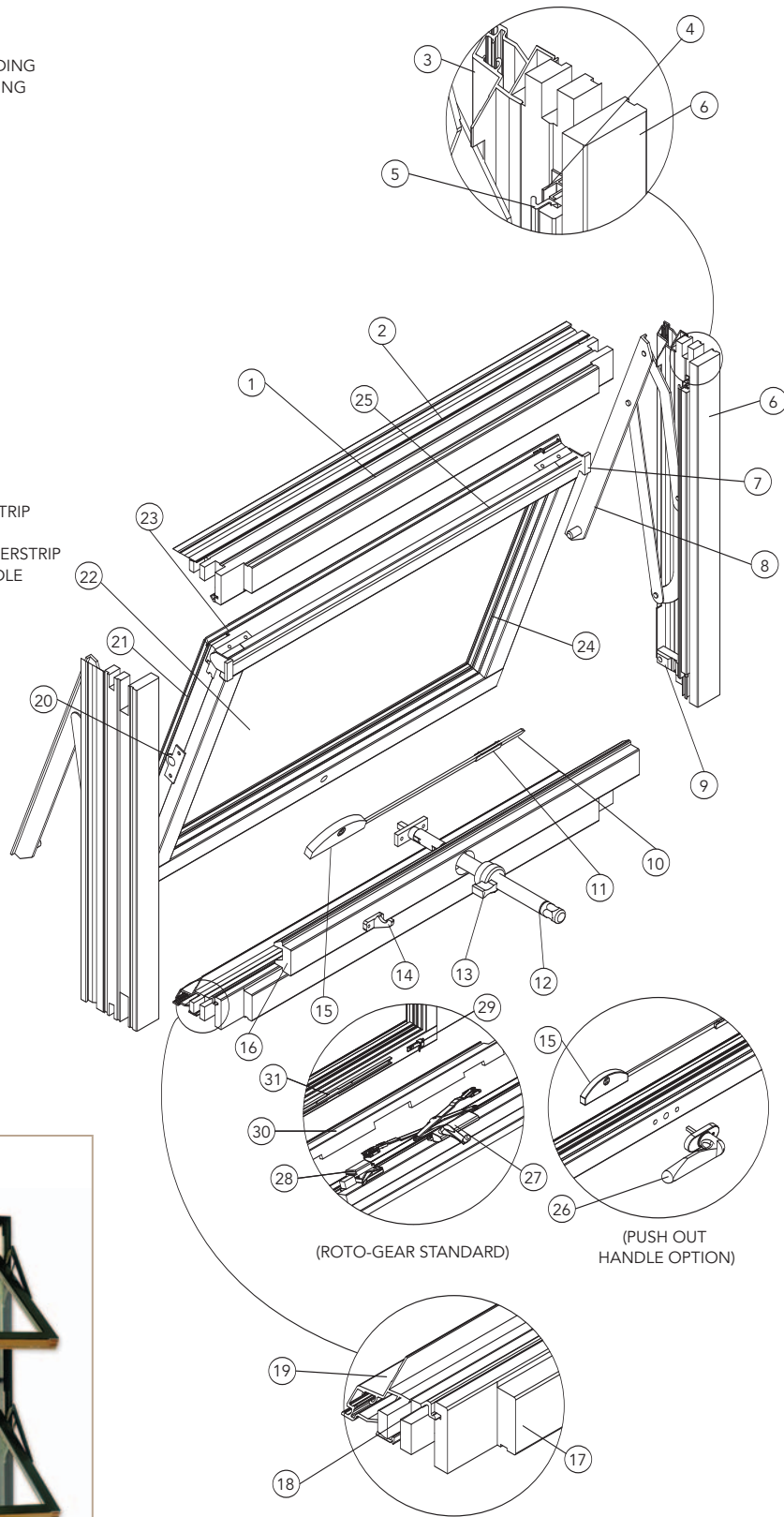


PARTS IDENTIFICATION

ACCESS WINDOW

NO. DESCRIPTION

- 1 HEAD JAMB
- 2 HEAD JAMB FRAME CLADDING
- 3 SIDE JAMB FRAME CLADDING
- 4 HEAD SLIDE TRACK
- 5 WEATHERSTRIP
- 6 SIDE JAMB
- 7 HEAD SLIDE
- 8 HINGE
- 9 END KEEP
- 10 ESPAGNOLETTE BAR
- 11 ESPAGNOLETTE GUIDE
- 12 PUSH BAR (OPTIONAL)
- 13 LOCK CYLINDER
- 14 SADDLE
- 15 LOCK BOX
- 16 SILL COVER (PUSH BAR)
- 17 SILL
- 18 WEATHERSTRIP
- 19 SILL FRAME CLADDING
- 20 CENTER SASH ASSEMBLY
- 21 SASH
- 22 SEALED UNIT
- 23 PRIMARY SASH WEATHERSTRIP
- 24 INTERIOR GLAZING STOP
- 25 SECONDARY SASH WEATHERSTRIP
- 26 PUSH OUT LOCKING HANDLE
- 27 ROTO-GEAR
- 28 SASH LOCK
- 29 KEEPER
- 30 SILL COVER (ROTO-GEAR)
- 31 TRACK



Double Access shown (two sash in one frame).

Note: • This drawing is not to scale. For parts identification only.



Access Windows



H5

www.loewen.com