

EXTERIOR ELEVATION

CUSTOMER APPROVAL BLOCK

APPROVED

APPROVED AS NOTED

DISAPPROVED RESUBMIT

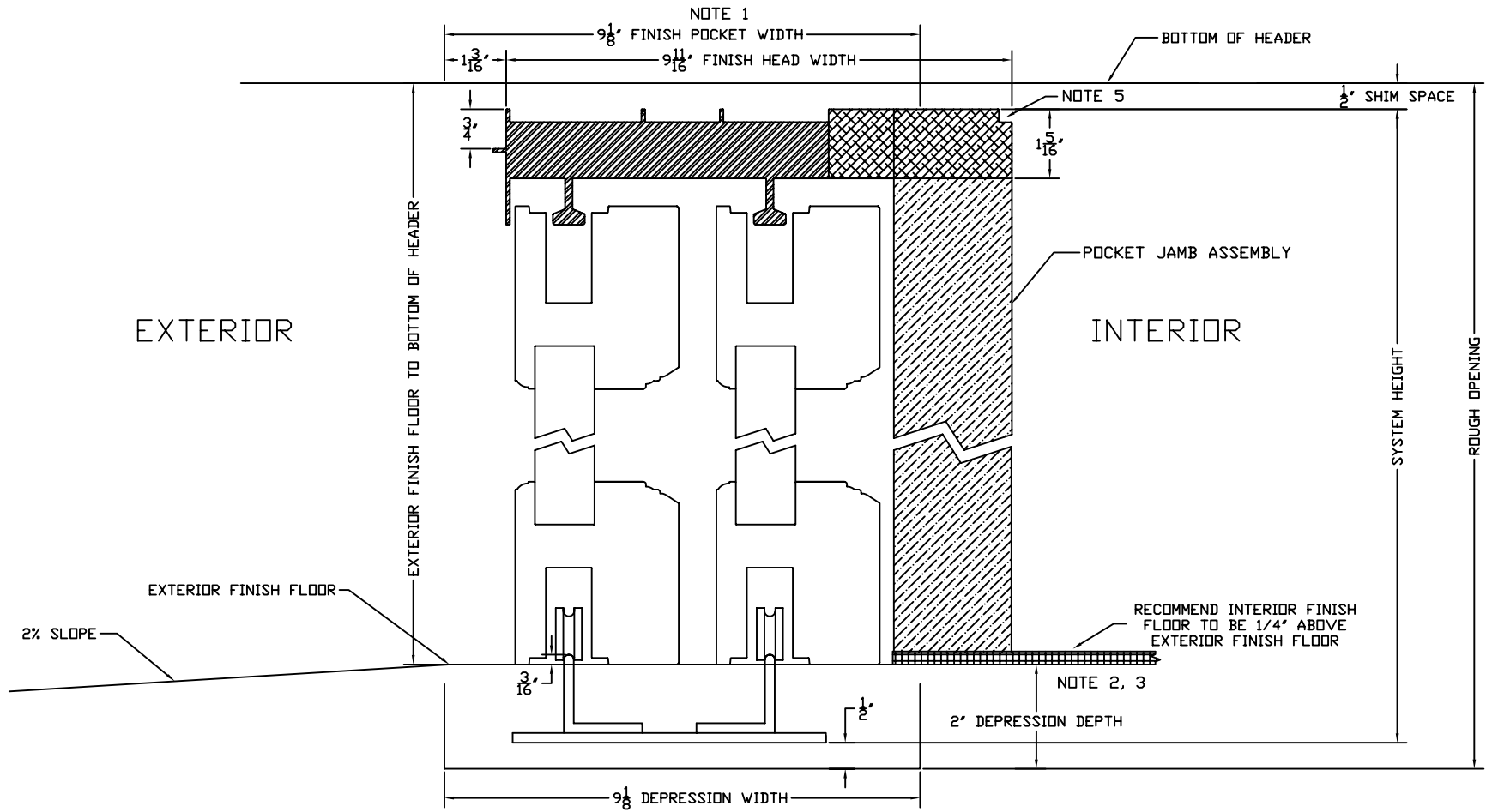
SIGNED \_\_\_\_\_ DATE \_\_\_\_\_

NO.	DATE	DESCRIPTION	BY
0	10-06	APPROVED FOR CONSTRUCTION	CMP



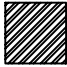


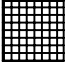
TITLE		
XXP 1 1/2" TRACK		
ARCHITECTURAL COLLECTION		
DWN BY: AR	SCALE: NONE	REV.
DATE: 02/13/07	DWG. NO.	0
CHK. BY: CMP	ALS-068	
APPD. BY: CMP	SHT. 1 OF 1	

\*\*\* All diagrams, drawings and other documents produced by Sliding Visions, Inc. are the sole property of Sliding Visions, Inc and under penalty of law, neither these documents nor the information they convey may be reproduced or transmitted to any third party without written consent.



NOTES:

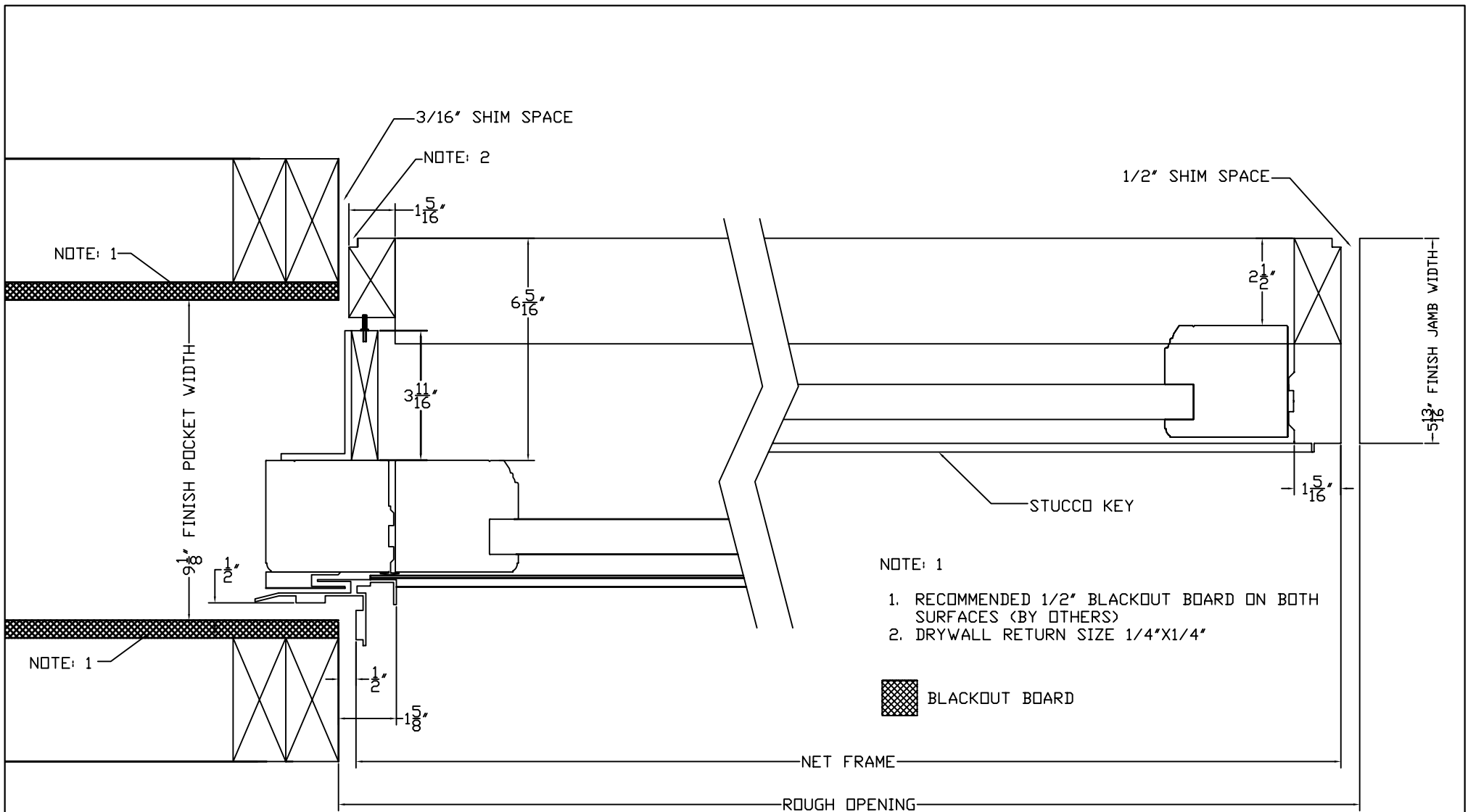
1. BLACKOUT BOARD ON BOTH INTERIOR SURFACES (BY CUSTOMER)
2. INCLUDES THICKNESS OF EXTERIOR FINISH FLOOR. FROM INTERIOR FINISH FLOOR ADD 1/4"
3. CUSTOMER IS REQUIRED TO DRY PACK TRACK DEPRESSION AFTER INSTALLATION BY DOOR CONTRACTOR
4. FINISH FLOOR BY OTHERS
5. DRYWALL RETURN SIZE 1/4"x1/4"
6. SEE SYSTEM ELEVATION DRAWING FOR ROUGH OPENING DIMENSIONS

	ALUMINUM		WOOD JAMB
	WOOD HEAD		INTERIOR FINISH

STANDARD DETAIL FOR INFORMATION ONLY

				TITLE PXX 1 1/2" TRACK			
				DWN BY: AR		SCALE: NONE	REV.
				DATE: 10-16-06		DWG. NO. OVLS-D-014	
				CHK. BY:		0	
				APPD. BY:			
NO.	DATE	DESCRIPTION	BY				
0		APPROVED FOR CONSTRUCTION					

\*\*\* All diagrams, drawings and other documents produced by Sliding Visions, Inc. are the sole property of Sliding Visions, Inc and under penalty of law, neither these documents nor the information they convey may be reproduced or transmitted to any third party without written consent.



STANDARD DETAIL FOR INFORMATION ONLY

				TITLE PXX POCKET DETAIL	
				DWN BY: AR	
				SCALE: NONE	
				DATE: 10-16-06	
				DWG. NO. OVLS-D-050	
				CHK. BY:	
				APPD. BY:	
				SHT. 1 OF 1	
					
0		APPROVED FOR CONSTRUCTION			0
NO.	DATE	DESCRIPTION	BY		

\*\*\* All diagrams, drawings and other documents produced by Sliding Visions, Inc. are the sole property of Sliding Visions, Inc and under penalty of law, neither these documents nor the information they convey may be reproduced or transmitted to any third party without written consent.